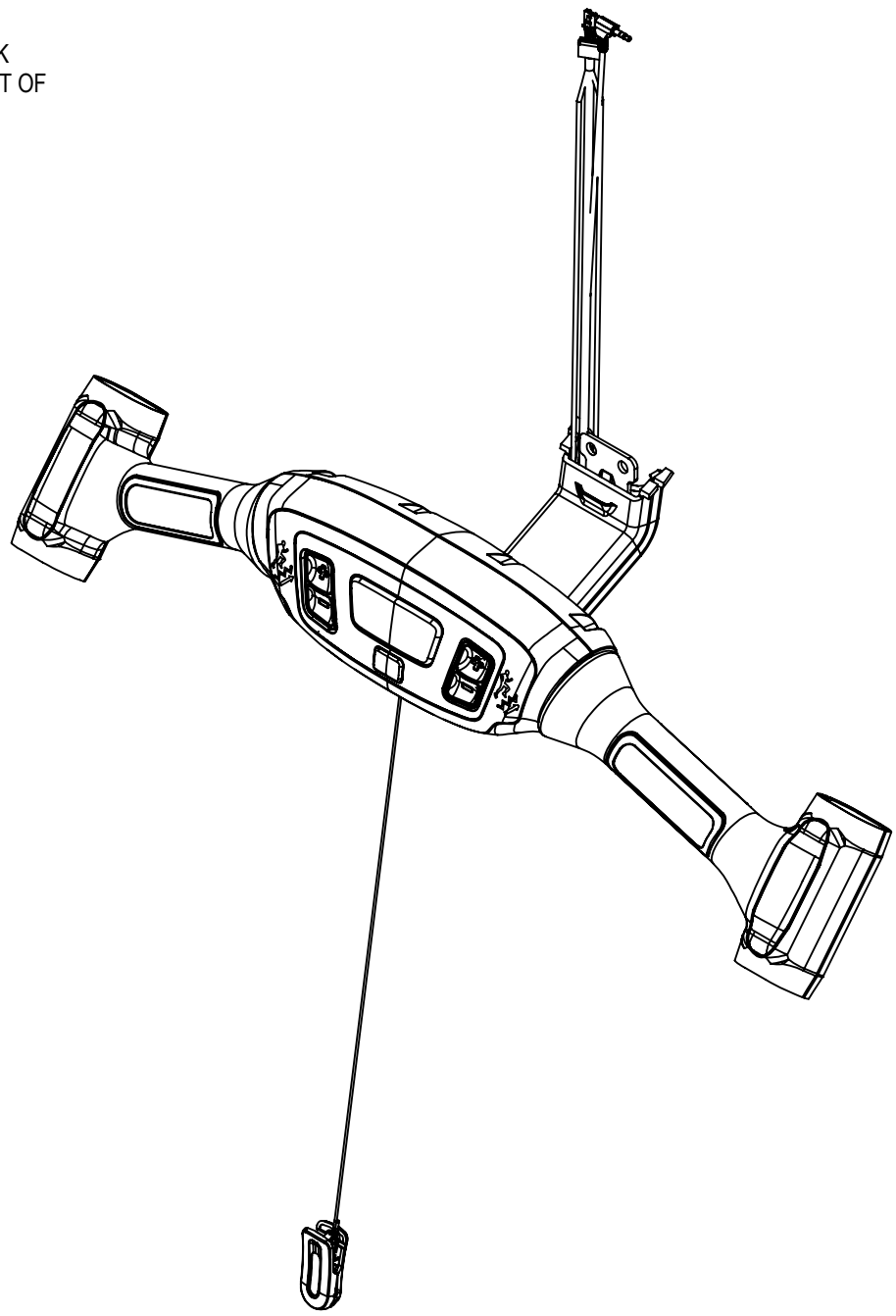


- NOTES:
1. ENSURE **CABLES** ARE CLEAR OF ALL SCREW BOSS OPENINGS AND MOVING PARTS
  2. TORQUE M5 SCREWS TO 2Nm
  3. TORQUE M8 SCREWS TO 30Nm
  4. PACKAGE ASSEMBLY IN SUCH A MANNER AS TO PREVENT DAMAGE DURING SHIPPING
  5. CONNECT **020-7824** TO HEART RATE GRIPS. CONNECT BLACK WIRE TO **020-7784** AND RED WIRE TO 020-7785 FOR EACH SET OF HEART RATE GRIPS
  6. CONNECT **220-0304** TO 220-0301 IN ASSEMBLY 715-4139
  7. ROUTE ACCORDING TO WIRING DIAGRAM ON SHEET 3



REVISION HISTORY				
REV	DATE	DESCRIPTION	ECO	BY
A	9/5/2017	PRODUCTION RELEASE	15667	BB

ITEM NO.	PART NUMBER	DESCRIPTION	Default/ QTY.
1	020-7812	HANDLE, BOTTOM, OVERMOLDED, GAUNTLET	2
2	020-7817	SHROUD, BRIDGE, TOP, GAUNTLET	1
3	020-7822	CAP, OVERMOLDED HANDLE, RIGHT, GAUNTLET	1
4	020-7823	CAP, OVERMOLDED HANDLE, LEFT, GAUNTLET	1
5	<b>020-7824</b>	ASSY, <b>CABLE</b> , SPLITTER HR GRIP	1
6	020-7828	ASSY, SHROUD, BRIDGE, BOTTOM, GUANTLET	1
7	020-7829	ASSY, BRACKET, BRIDGE, GUANTLET	1
8	<b>110-3402</b>	SCREW, #8-18, 3/4", HI-LOW, PHT, PH, CS, BO	5
9	<b>110-4018</b>	SCREW, M5X0.8, 10mm, SHC, HK, AS, ZP, CI	12
10	<b>120-3307</b>	WASHER, M4, 4.3mm I.D. X 12mm O.D., ISO 7089	4
11	120-3387	WASHER, M8, 8.6x16x1.6mm, BLK E-COAT	12
12	140-3594	Clamp, Wire, Ø3mm, Closing, Self	3
13	140-3645	WIRE CLAMP, ID: 6.4mm, SCREW SIZE: M4	1
14	<b>220-0304</b>	<b>CABLE</b> , SWITCH, I/O, SM	1
15	715-4179	ASSY, SHROUD, BACK, CONTROL PANEL, HOTBAR	1
16	<b>715-4184</b>	ASSY, BRACKET, CENTER, HOTBAR	1
17	<b>715-4185</b>	ASSY, HANDLE, OVERMOLDED, LEFT, SM	1
18	<b>715-4186</b>	ASSY, HANDLE, OVERMOLDED, RIGHT, SM	1
19	<b>715-4207</b>	BUTTON CONSOLE, HOTBAR	1
20	<b>731-0225</b>	SCREW, M3.5 X 9.5, SELF TAPPING	5
21	<b>731-0562</b>	NUT, M8 X 1.25, NYLOC	6
22	<b>731-0584</b>	SCREW, #8-18, 3/8", PHT, PH	4
23	<b>731-5641</b>	SCREW, M8 X 1.25, 20MM, HHM, HE	6

**DOCUMENT STATUS:**

NOTICE OF PROPRIETARY INFORMATION  
 THIS DOCUMENT SHALL NOT BE REPRODUCED NOR SHALL THE INFORMATION CONTAINED HEREIN BE USED BY OR DISCLOSED TO OTHER EXCEPT AS EXPRESSLY AUTHORIZED BY CORE HEALTH & FITNESS, LLC.

CLASS OF WORK	UNLESS OTHERWISE SPECIFIED DIMS ARE IN mm. TOLERANCES FOR MEASURE OF LENGTH ARE:							ANGLES = ±2°		
	0.5 to 3	> 3 to 6	> 6 to 30	> 30 to 120	> 120 to 400	> 400 to 1000	> 1000 to 2000	> 2000		
FINE	±0.05	±0.05	±0.1	±0.15	±0.2	±0.3	±0.5	----		
MEDIUM	±0.1	±0.1	±0.2	±0.3	±0.5	±0.8	±1.2	±2		
COARSE	±0.2	±0.3	±0.5	±0.8	±1.2	±2	±3	±4		
VERY COARSE	----	±0.5	±1	±1.5	±2.5	±4	±6	±8		

MATERIAL SEE BOM

FINISH N/A

VENDOR: N/A

P/N: N/A

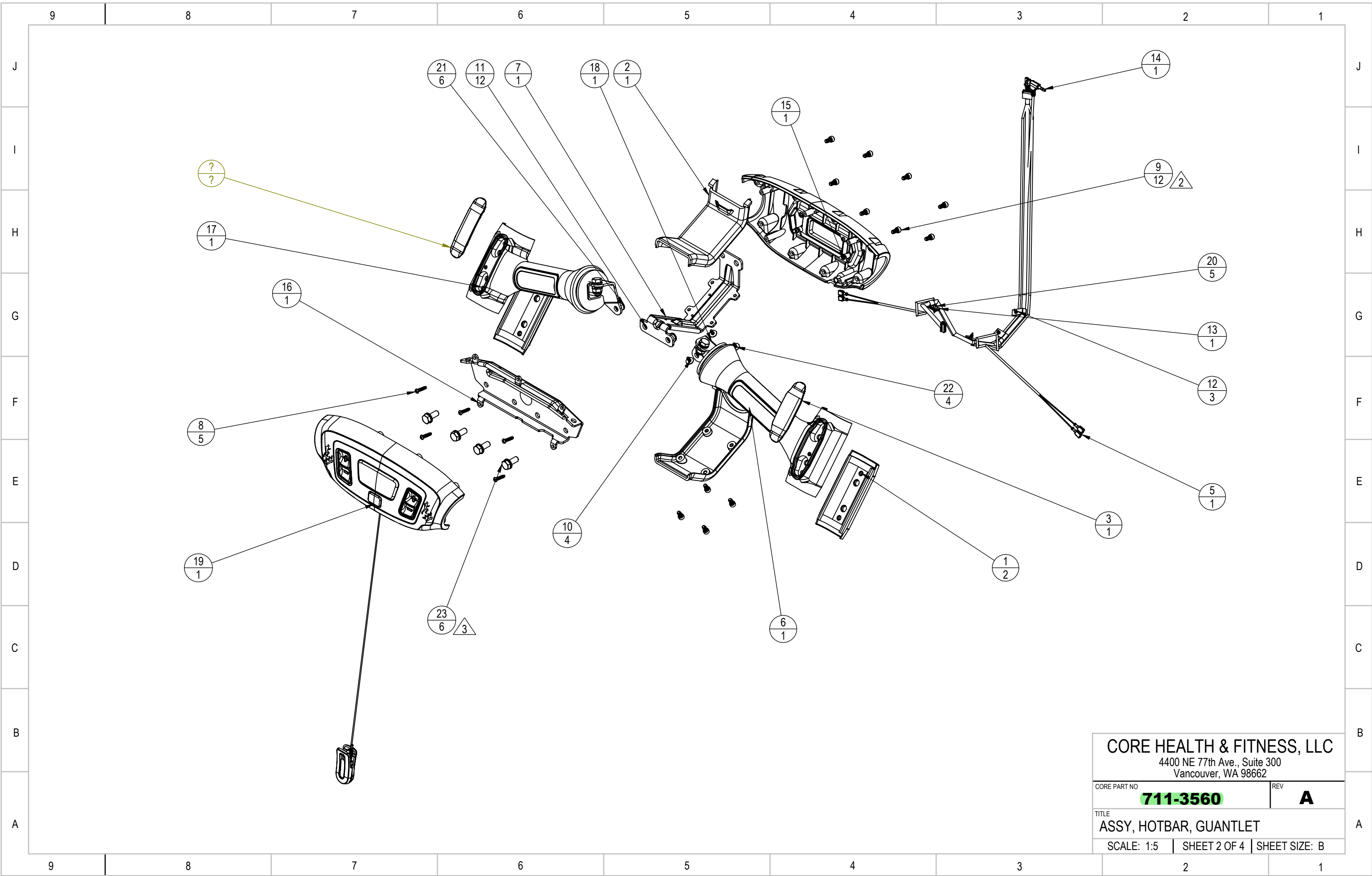
THIRD ANGLE PROJECTION	
DRAWN	INITIAL BB
CHECKED	DATE 09/05/2017
APPROVED	
U.O.M.	MM

**CORE HEALTH & FITNESS, LLC**  
 4400 NE 77th Ave., Suite 300  
 Vancouver, WA 98662

CORE PART NO: **711-3560** REV: **A**

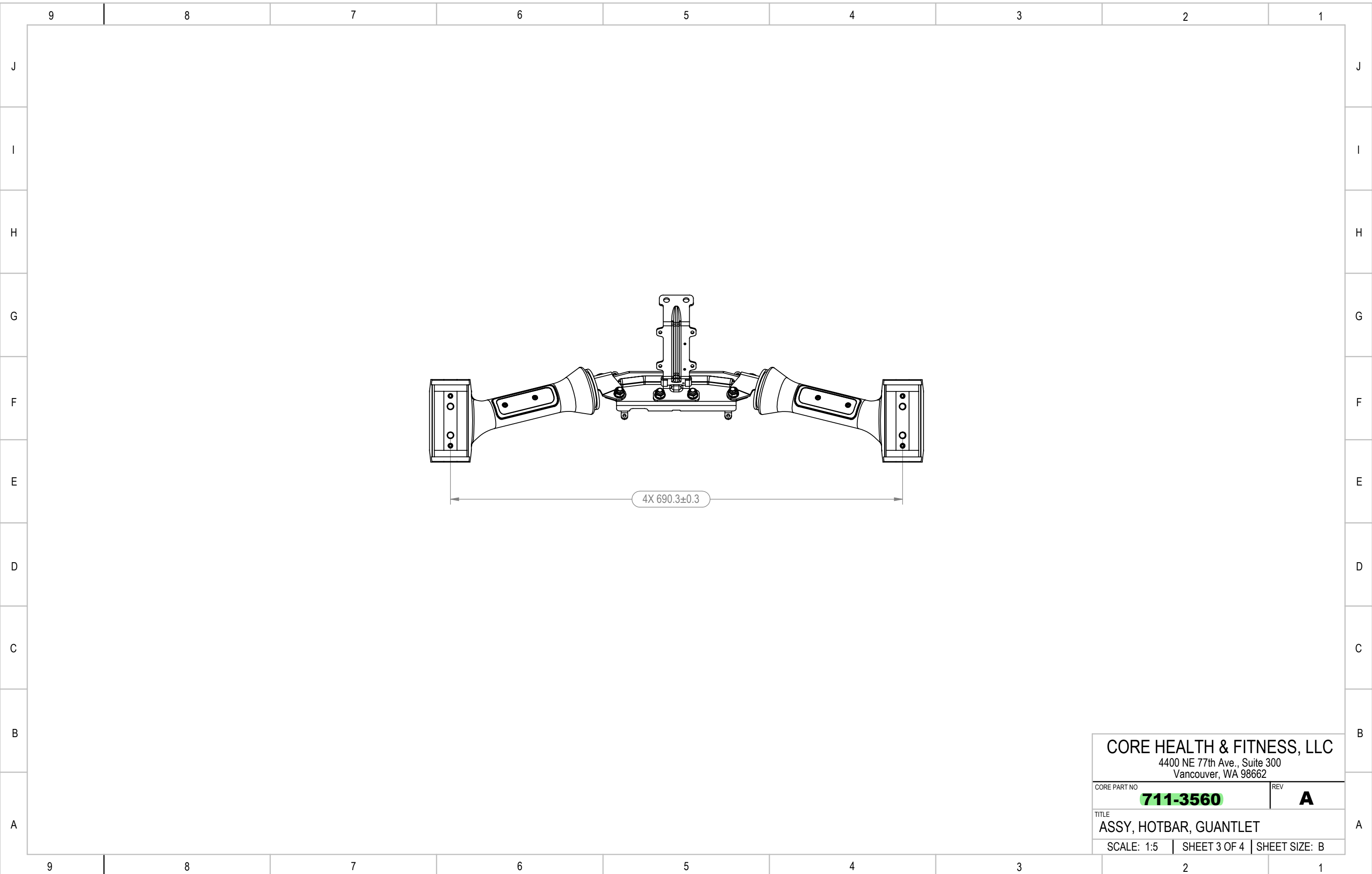
TITLE: **ASSY, HOTBAR, GUANTLET**

SCALE: 1:5 | SHEET 1 OF 4 | SHEET SIZE: B

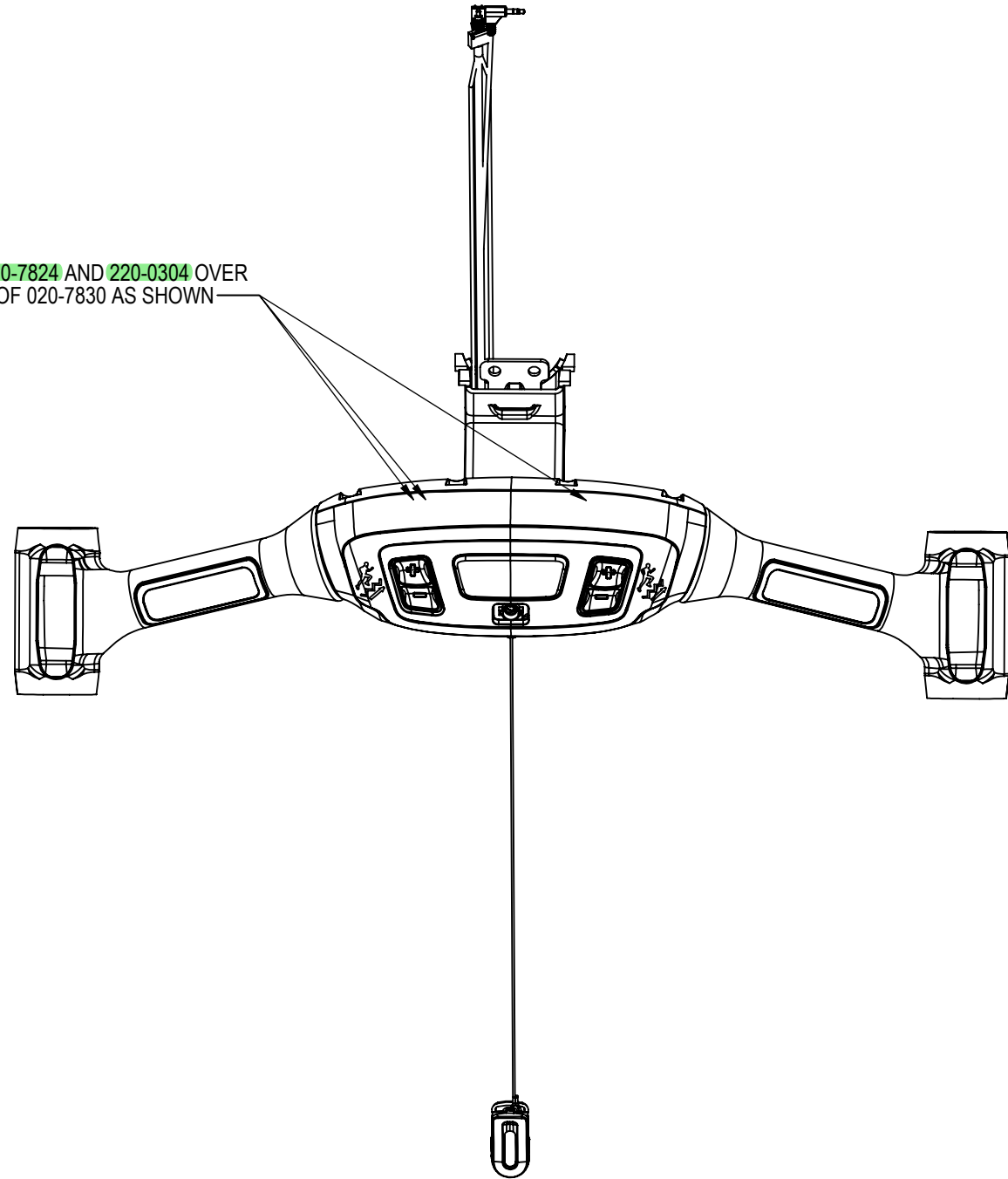


**CORE HEALTH & FITNESS, LLC**  
 4400 NE 77th Ave., Suite 300  
 Vancouver, WA 98662

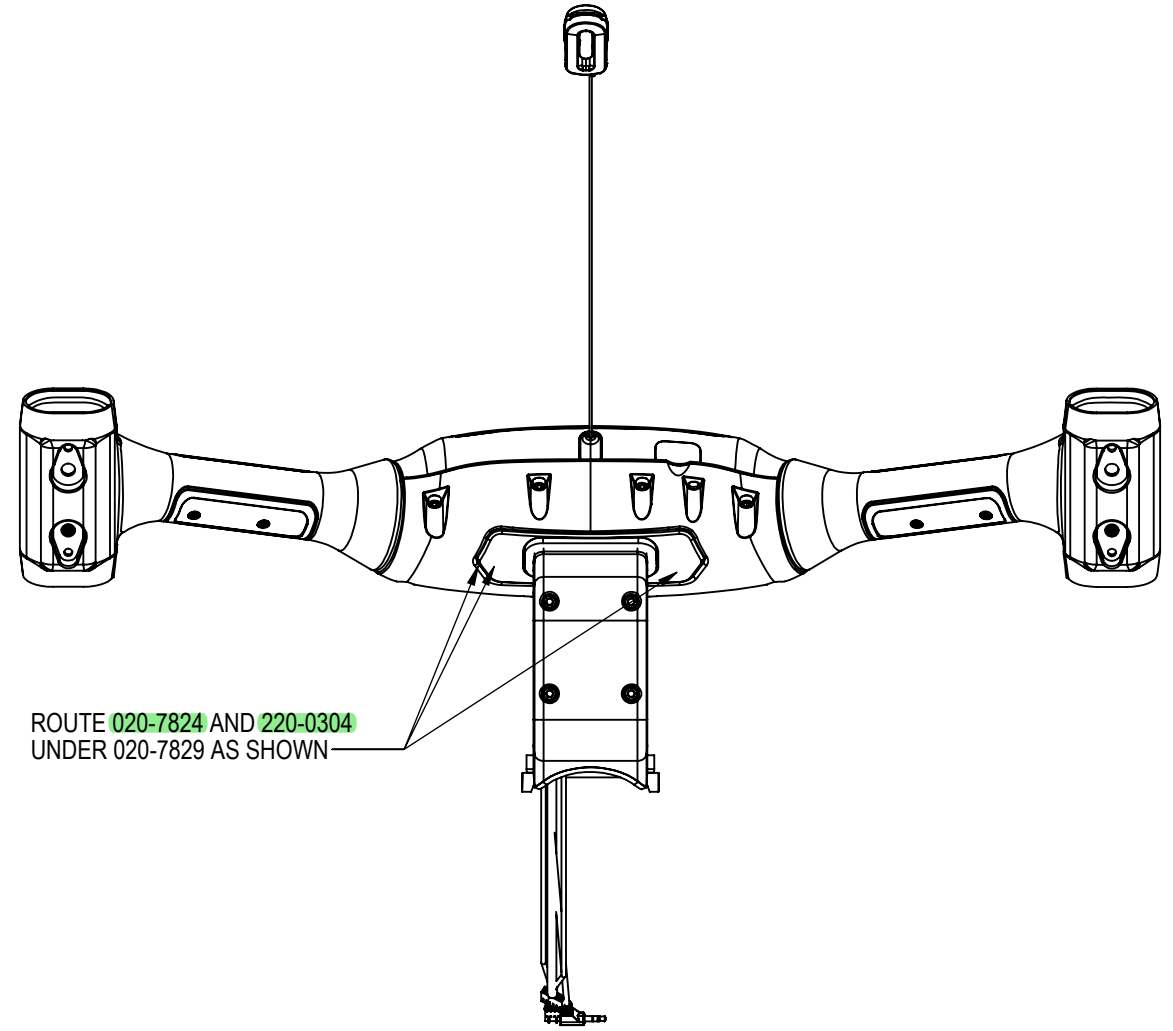
CORE PART NO	<b>711-3560</b>	REV	<b>A</b>
TITLE ASSY, HOTBAR, GUANTLET			
SCALE: 1:5	SHEET 2 OF 4	SHEET SIZE: B	



<b>CORE HEALTH &amp; FITNESS, LLC</b> 4400 NE 77th Ave., Suite 300 Vancouver, WA 98662		
CORE PART NO	<b>711-3560</b>	REV <b>A</b>
TITLE ASSY, HOTBAR, GUANTLET		
SCALE: 1:5	SHEET 3 OF 4	SHEET SIZE: B



ROUTE 020-7824 AND 220-0304 OVER THE TOP OF 020-7830 AS SHOWN



ROUTE 020-7824 AND 220-0304 UNDER 020-7829 AS SHOWN

CORE HEALTH & FITNESS, LLC  
 4400 NE 77th Ave., Suite 300  
 Vancouver, WA 98662

CORE PART NO	<b>711-3560</b>	REV	<b>A</b>
TITLE ASSY, HOTBAR, GUANTLET			
SCALE: 1:5	SHEET 4 OF 4	SHEET SIZE: B	